

ENTE HC120

Double the power!



DESCRIPTION

The powerhouse among the "small" odor filters. Need more filter media, but the space is still somewhat limited? The HC120 is the solution.

The flexibility of the HC60, but with double capacity. That means no less than 12 cassettes, or 300 liters of filter media!

The enlargement of the filter also created more room for additional options such as UV-C and internal fan options.

When more filter media is required, this model can be extended to the HC180 with a capacity of 18 cassettes (450 liters of filter media).

Depending on your situation - the type and degree of pollution and flow rate - Entec advises how much cassettes you need and what type of medium should be used for the best result in your specific situation.

The filter is equipped with a high-end coating in your desired RAL colour, without additional costs.

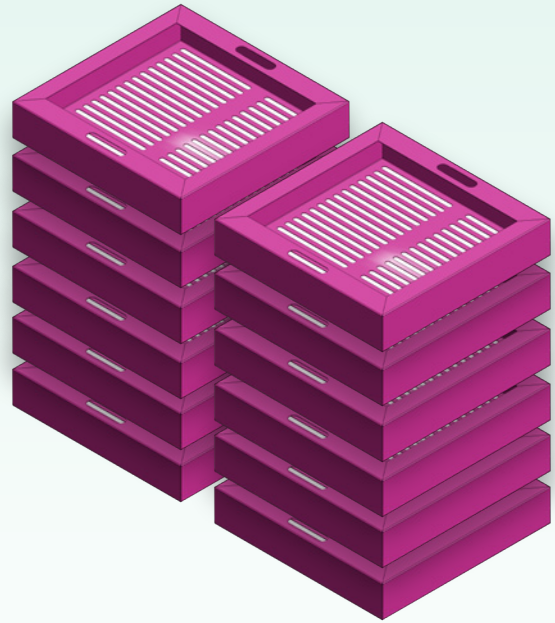
Advised for use with:

- **Sewage pumping stations.**
- **Stormwater tanks.**
- **Egalisation tank.s.**
- **Pumping stations.**

PRODUCT INFORMATION // Bad Odour Filters | ENTEC HC120

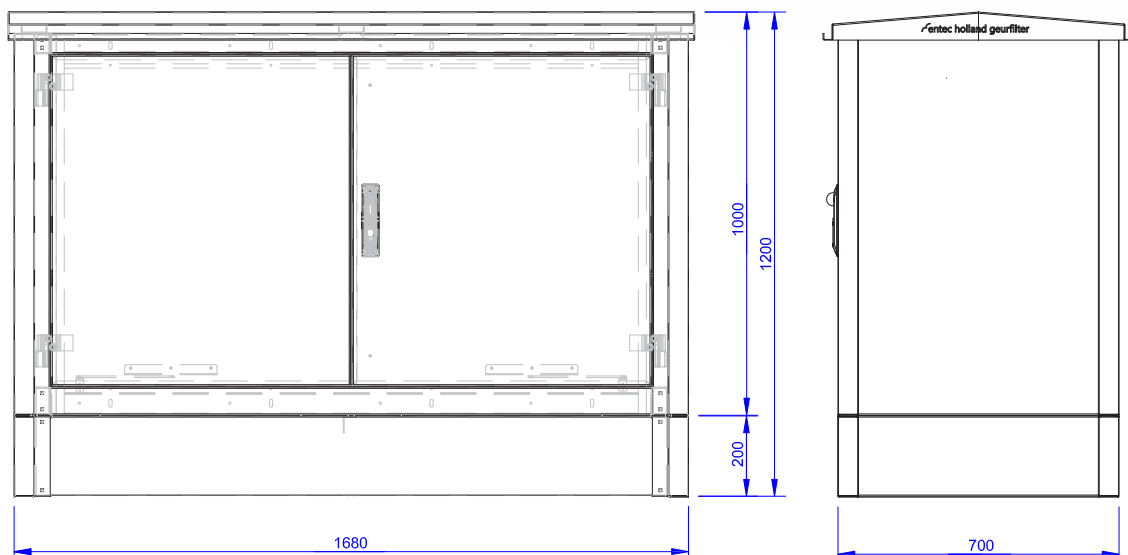
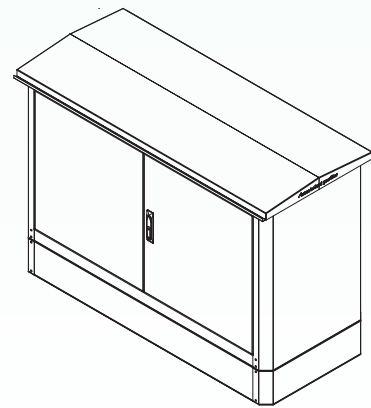
Up to 300 liter filter media with 12 cassettes.

The powerful solution!



SPECIFICATIONS

- Material: Stainless Steel (SST)
- Footprint: 700*1680 mm
- Height: 1200 mm
Including height extension 200 mm; makes every type and size of connection possible.
- Including corrosion resistant lock
- Max. capacity: 12 cassettes
- Coating: RAL Colour
Special coatings possible!



APPLICATION EXAMPLES

In order to give you an even better idea of the endless possibilities and the scope of the application, here are some examples where the ENTEC HC120 has been implemented. Besides filters, Entec is the manufacturer of the filter media itself as well.

